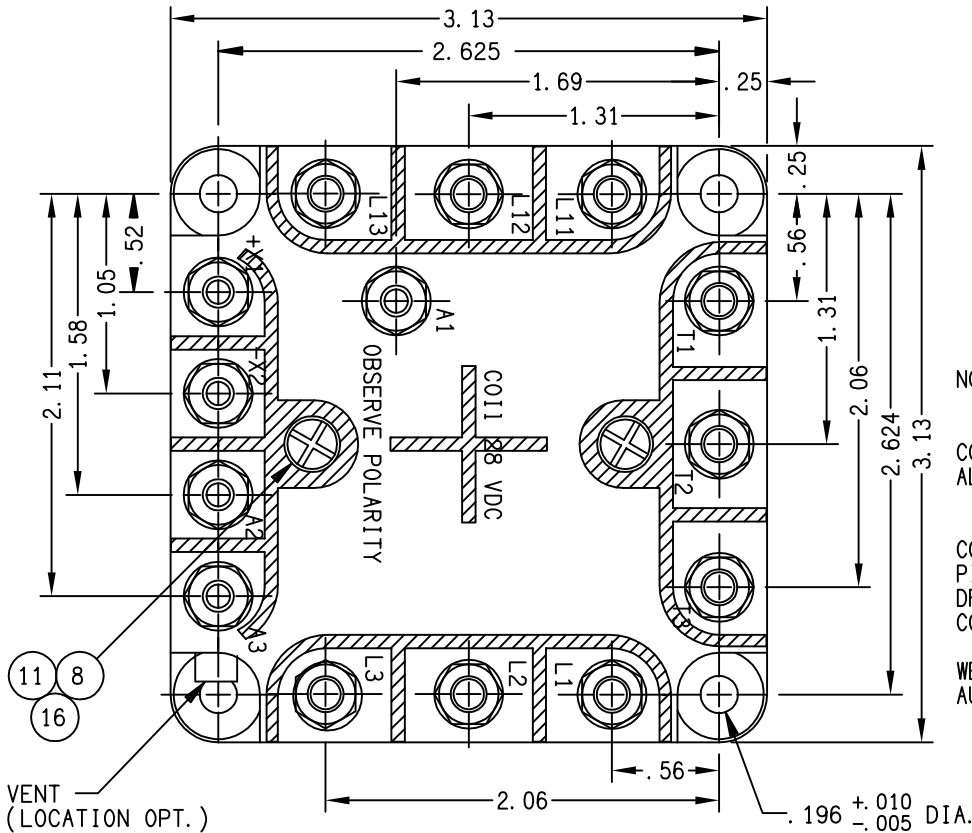
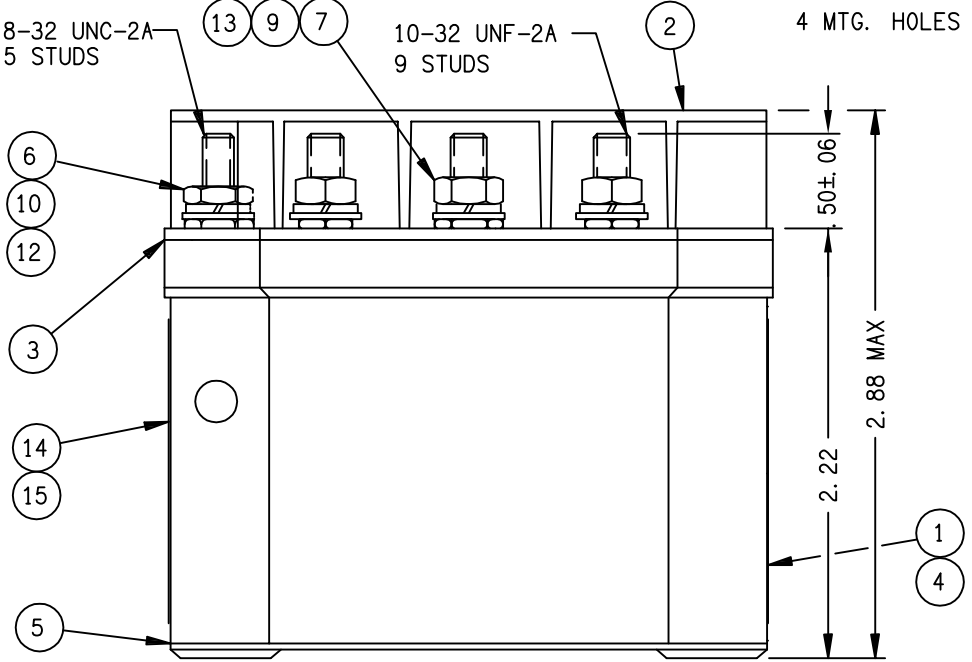
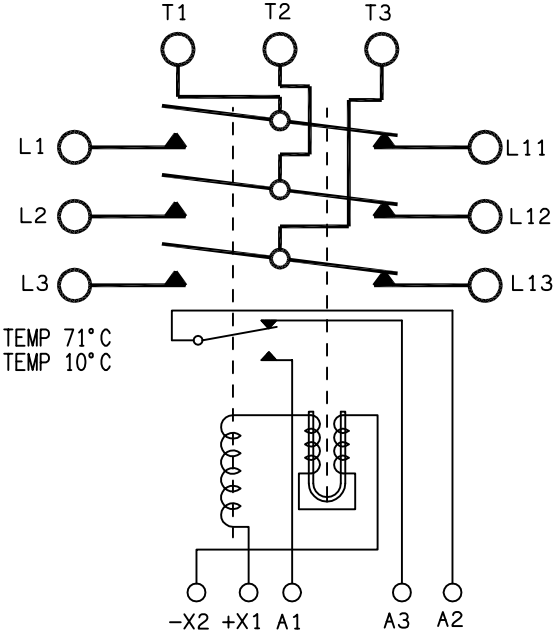


| REVISIONS | | | RELEASED | |
|-----------|-----------|---------------------------------------|----------|----------|
| REV | ECN No. | DESCRIPTION | DATE | APPROVED |
| U | 0154-02 | QTY OF ITEM 12 WAS 8 | 02/10/11 | CC |
| V | 0439-02 | CORRECTED ORIENTATION OF TERM. DESIG. | 02/12/02 | CC |
| W | 0198-04 | ADDED ITEM 16 | 04/03/18 | CB |
| Y | 0070-05 | CHANGE SCREW FROM FLAT TO PHILLIPS | 05/02/14 | CB |
| AA | 11-024834 | ITEM 7 WAS -054 | 11/12/01 | CB |



- NOTES:
 1. TERMINAL COVER STAMPED "DANGER HIGH VOLTAGE"
 2. MAX AMBIENT TEMP TO BE 120° C

NOMINAL VOLTAGE 28 V DC
 COIL CONTACTS 200 V AC, 400 HZ
 CONTACT RATING 60 AMPS/PHASE
 ALTERNATE RES LOAD RATING 70A/PHASE AT MAX AMB TEMP 71° C
 75A/PHASE AT MAX AMB TEMP 10° C
 CONTACTS TPDT NC
 PICKUP VOLTAGE 18 V MAX (HOT)
 DROPOUT VOLTAGE 7 +0/-5.5 VOLTS
 COIL CURRENT AT 29V (EST) MAX & 25° C .5 AMP
 WEIGHT (MAX) 1 LB 8 1/2 OZ
 AUX CONTACT RATING
 INDUCTIVE 3 AMP
 RESISTIVE 5 AMP
 MOTOR 3 AMP



| | | | | | | |
|----|---|-----------|--|-------------|--------|--|
| 16 | 2 | 51701-310 | WASHER | | | |
| 15 | 1 | 39529-038 | OVERLAY | | | |
| 14 | 1 | 25265-001 | PLATE-WIRING DIAGRAM | | | |
| 13 | 9 | 51810-054 | WASHER - LOCK NO. 10 SPLIT | MS35338-100 | BRONZE | |
| 12 | 5 | 51808-064 | WASHER - LOCK NO. 8 X .307 MAX. X .047 SPLIT | MS35338-99 | BRONZE | |
| 11 | 2 | 51806-034 | WASHER - LOCK NO. 6 INT. | MS35333-68 | BRONZE | |
| 10 | 5 | 51712-104 | WASHER - 3/8 X 11/64 X .032 | AN961-8 | BRASS | |
| 9 | 9 | 51702-844 | WASHER - 3/8 X 13/64 X .032 | AN961-10 | BRASS | |
| 8 | 2 | 51206-644 | SCREW - 6-32 X 3/4 RD. HD. | MS35214-29 | BRASS | |
| 7 | 9 | 50410-174 | NUT - 10-32 X 5/16 X 9/64 HEX. | | BRASS | |
| 6 | 5 | 50408-034 | NUT - 8-32 X 5/16 X 3/32 HEX. | | BRASS | |
| 5 | 1 | 15106-020 | CONTACTOR ASSEMBLY - PRIMARY | | | |
| 4 | 1 | 39529-001 | OVERLAY NAME PLATE | | | |
| 3 | 1 | 13717-001 | PLATE - BASE COVER | | | |
| 2 | 1 | 12531-003 | SHIELD - TERMINAL | | | |
| 1 | 1 | 16043-001 | PLATE - NAME | | | |

| FIND NO | QTY REQD | PART OR IDENTIFYING NO | NOMENCLATURE OR DESCRIPTION | FSCM NO | DRAWING OR SPECIFICATION | MATERIAL OR NOTE |
|---|----------|------------------------|---|-----------------|--------------------------|------------------|
| UNLESS OTHERWISE SPECIFIED DIMENSIONS ARE IN INCHES TOLERANCES ON | | | | | | |
| 2 PL DEC. 3 PL DEC. ANGLES | | | | | | |
| ± .03 ± .010 ± 1° | | | | | | |
| MATERIAL | | | | | | |
| DR BY RCB 04/03/18 | | | | | | |
| CHK BY CB 04/03/18 | | | Hartman Division, 175 N. DIAMOND STREET MANSFIELD, OHIO 44902 | | | |
| ENGR WR 04/03/22 | | | CONTACTOR - TPDT NC | | | |
| MFG MB 04/03/25 | | | 093 | | | |
| SIZE C | | CODE IDENT 74063 | | DWG NO. B-138BH | | |
| SCALE 1/1 | | | SHEET | | | |
| REF TE P/N 1616028-1 | | | | | | |